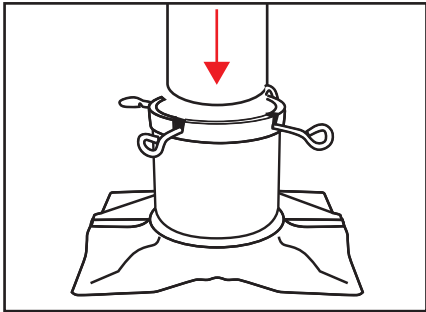


WILSON CO.
Bespoke Building Group

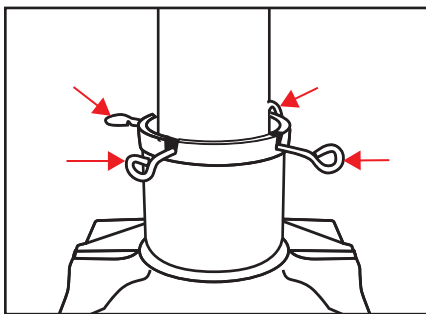
the Sea Tree

ASSEMBLY INSTRUCTIONS

STEP 1: Insert the **bottom** of the cedar post into the tree stand, and **secure** position by tightening screws.

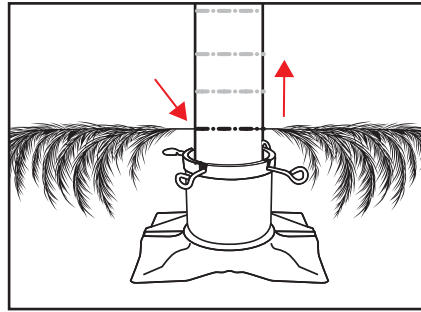


NOTE: The provided Santa Solution's Tree Stand comes with a bottom portion that is screwed directly into the bottom of the post before sliding into the base.

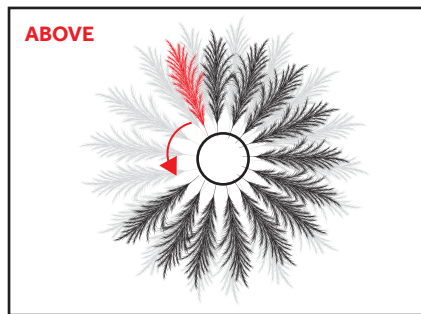


Tighten the screws until the washers (**red caps**) are flush with the cedar post on all four sides.

STEP 2: Working up from the bottom row, insert Pampas Grass, one at a time, into the **pre-drilled row of pilot holes** around the cedar post.

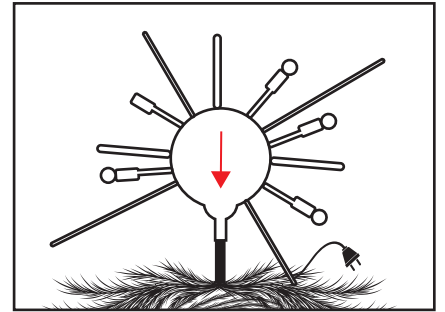


NOTE: The Pampas Grass stems have been cut at varying lengths to create the branch-like effect. There are roughly 17-18 holes per row and 18-19 rows in total.

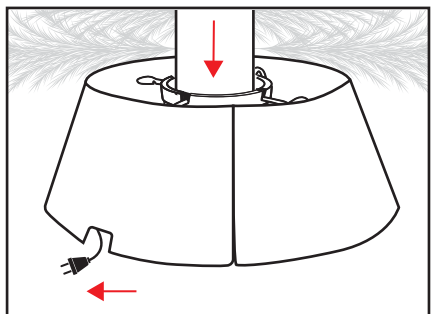


We recommend you **open the bottle of wine** we provided for this step, which could take around **two hours**.

STEP 3: Insert LED Light Fixture with **metal rod down** into the hole at the top center of the post.



We included all the original components of this light fixture for you to use in your home if you so desire.



Feed the cord **carefully** down through stems and through opening in the tree collar.
DONE!



(978) 225-3321
P.O. Box 5522
Salisbury, MA 01952
www.wilsoncollc.com

SEA TREE DECONSTRUCTION: Reverse these instructions for simple disassembly, working from the **top down**. Organize your Pampas Grass by top, middle and bottom sections for easy reassembly.